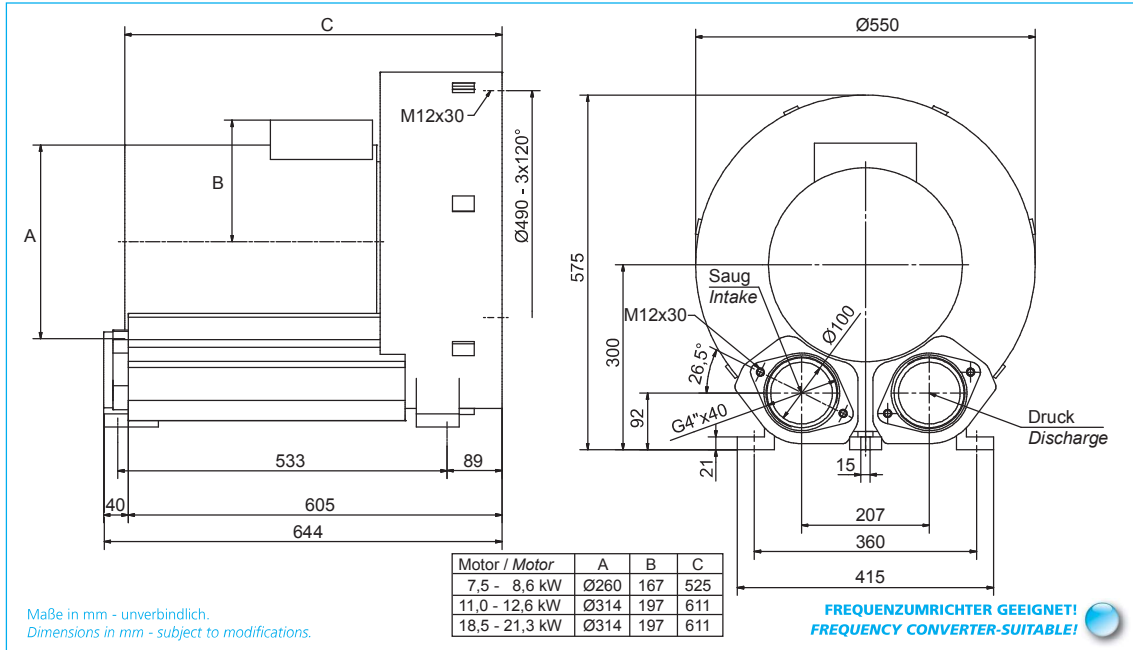
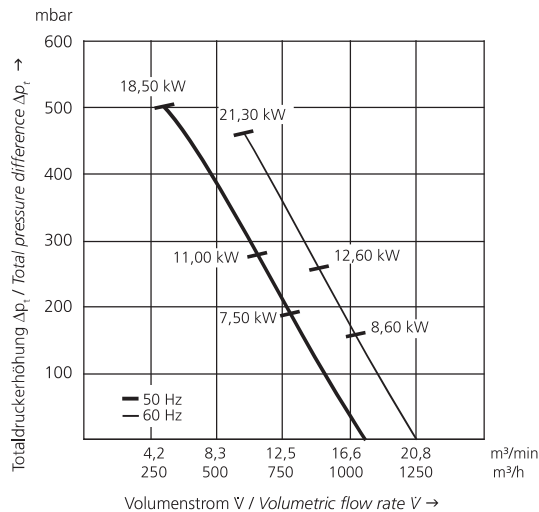


1SD 910 IE3



| Typ Type | Effizienzklasse Efficiency class | Frequenz Frequency | Grenzwerte der Drosselkurve Überdruck Maximum performance when used as blower | | Grenzwerte der Drosselkurve Unterdruck Maximum performance when used as extractor | | Nennwerte des Motors Motor ratings | | | Schalldruckpegel Sound pressure level | Gewicht (ca.) Weight (approx.) |
|-------------|-------------------------------------|-----------------------|--|--|--|--|---------------------------------------|---------------------|------------------|--|-----------------------------------|
| | | | \dot{V} max. \dot{V} max. | Δp_t max. Δp_t max. | \dot{V} max. \dot{V} max. | Δp_t max. Δp_t max. | Leistung Rated output | Spannung Voltage | Strom Current | | |
| | | Hz | m ³ /min | mbar | m ³ /min | mbar | kW | V | A | dB (A) | kg |
| 1SD 910 | IE3 | 50 | 17,50 | 190 | 17,50 | 200 | 7,50 | 400/690 | 13,50/7,80 | 74 | 118 |
| | | 60 | 20,80 | 160 | 20,80 | 170 | 8,60 | 480 | 12,90 | 84 | 118 |
| 1SD 910 | IE3 | 50 | 17,50 | 280 | 17,50 | 290 | 11,00 | 400/690 | 19,60/11,30 | 75 | 140 |
| | | 60 | 20,80 | 260 | 20,80 | 270 | 12,60 | 480 | 18,70 | 84 | 140 |
| 1SD 910 | IE3 | 50 | 17,50 | 500 | 17,50 | 350 | 18,50 | 400/690 | 32,50/18,80 | 75 | 162 |
| | | 60 | 20,80 | 460 | 20,80 | 380 | 21,30 | 480 | 32,40 | 84 | 162 |

Überdruck / Pressure



Unterdruck / Vacuum

